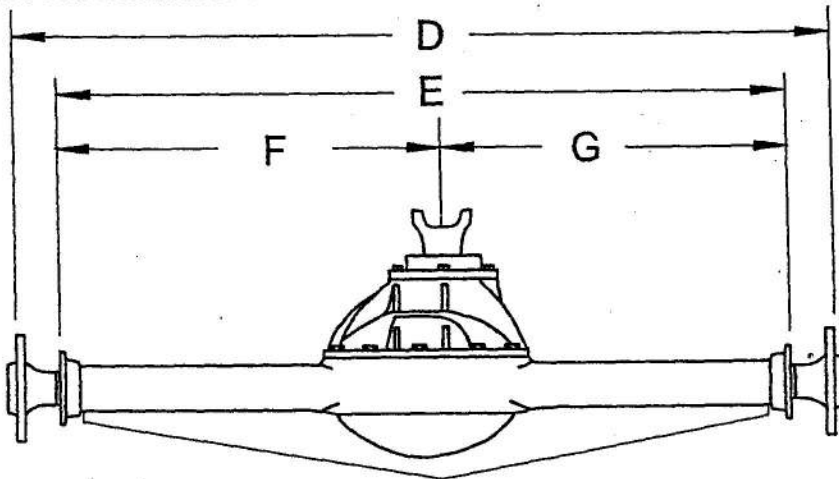


Rear End Order Form

Type of Rear End Dana 60 _____ Ford 9" _____
Housing Ends _____
Axle Spline _____
Gear Ratio _____ Pro _____ Street _____
IF 9" Rear What Case Steel _____ Alum _____
Spool _____ Posi _____ Locker (9" only) _____
Axle Bolt Pattern _____
Stud Size 1/2" _____ 5/8" _____ Screw In _____

Pinion Offset _____ Pinion Offset is the difference between F and G Divided by two
Axle To Axle D _____ Driver Side Housing Flange To Pinion Center F _____
Housing Width E _____ Passenger Side Housing Flange To Pinion Center G _____

Axle to Axle measurement doesn't include the thickness of the brake hats



Bracket Welding

KIT # 3516 _____ 3515 _____ 3514 _____ 3513 _____ 3505 _____

Outside To Outside Measurement _____
Of The Brackets