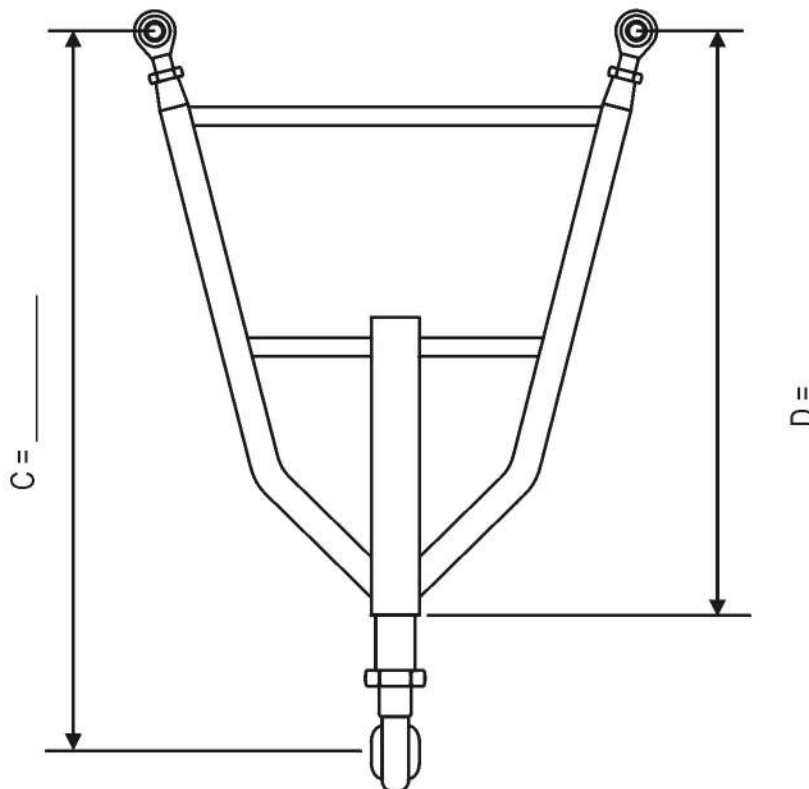
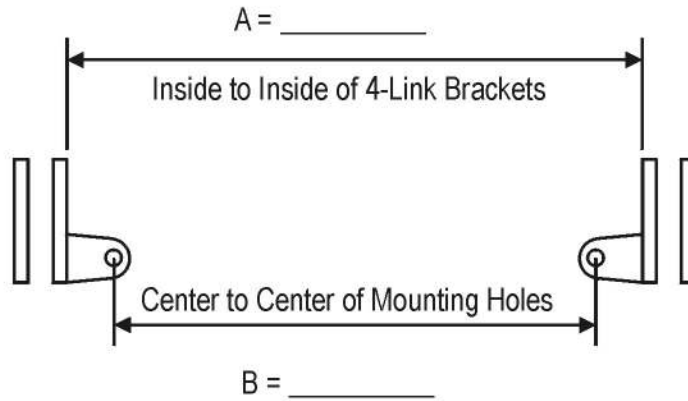


WISHBONE ORDER FORM

Please fill out information listed below for your particular application and fax back to Chassis Engineering attention Tech Department.



Contact Information: Name: _____

Address: _____

Phone: _____